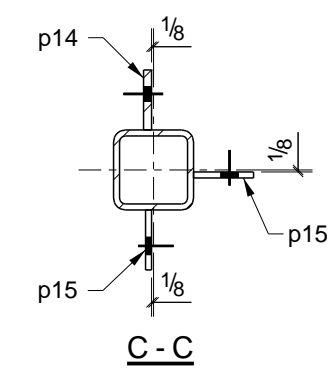
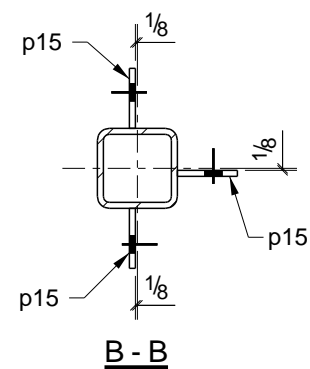
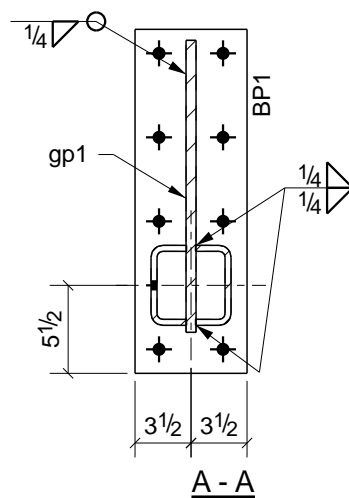
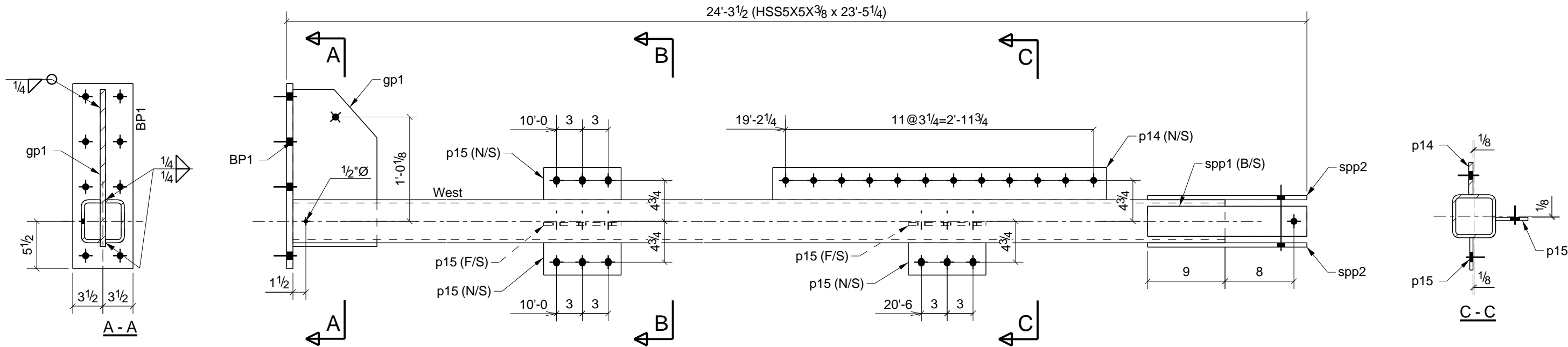
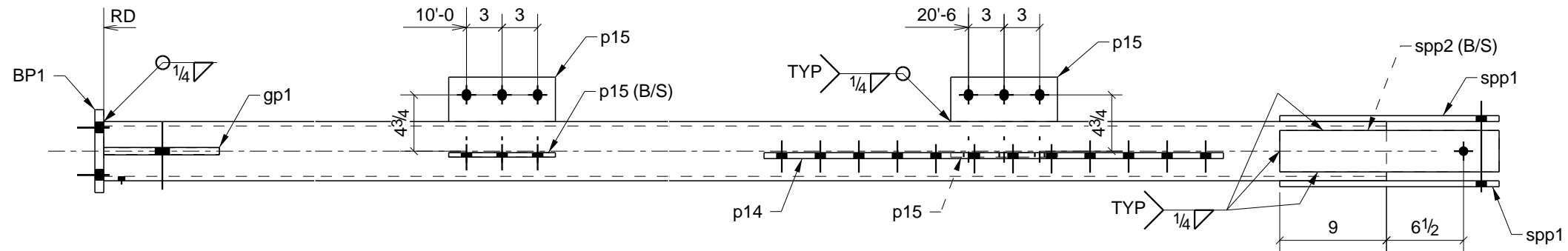


GRID LOCATION	BOTTOM ELEVATION
2.7/E.5	12'-11"3/4



ONE - COLUMN - C10

02/22/2019	2	ISSUED FOR FABRICATION	DAP
DATE	NO.	DESCRIPTION	BY

BILL OF MATERIAL							
Qty Ea.	Qty Tot	Piece Mark	Description	Length	Weight Total	Remarks	Steel Grade
	1	C10	COLUMN				
1	1		HSS5X5X3/8	23'-5 1/4"	493	SQ-2	A500-GR.B
1	1	BP1	FL3/4"X7"	1'-9 1/2"	32		A36
1	1	gp1	PL5/8"X9 3/4"	1'-6 1/4"	29		A36
1	1	p14	FL1/2"X3 3/4"	3'-2 3/4"	21		A36
5	5	p15	FL3/8"X3 3/4"	0'-9"	18		A36
2	2	spp1	FL1/2"X3 1/2"	1'-6 1/2"	18		A36
2	2	spp2	FL1/2"X3 1/2"	1'-6 1/2"	18		A36

PROJECT NAME		51 SILVER ST
LOCATION		51 SILVER ST SOUTH BOSTON, MA
CONTRACTOR		
ARCHITECT		
DESCRIPTION	COLUMN	
DATE	02/21/2019	JOB No. 18-033
DRAWN BY	DAP	DRG No. C10