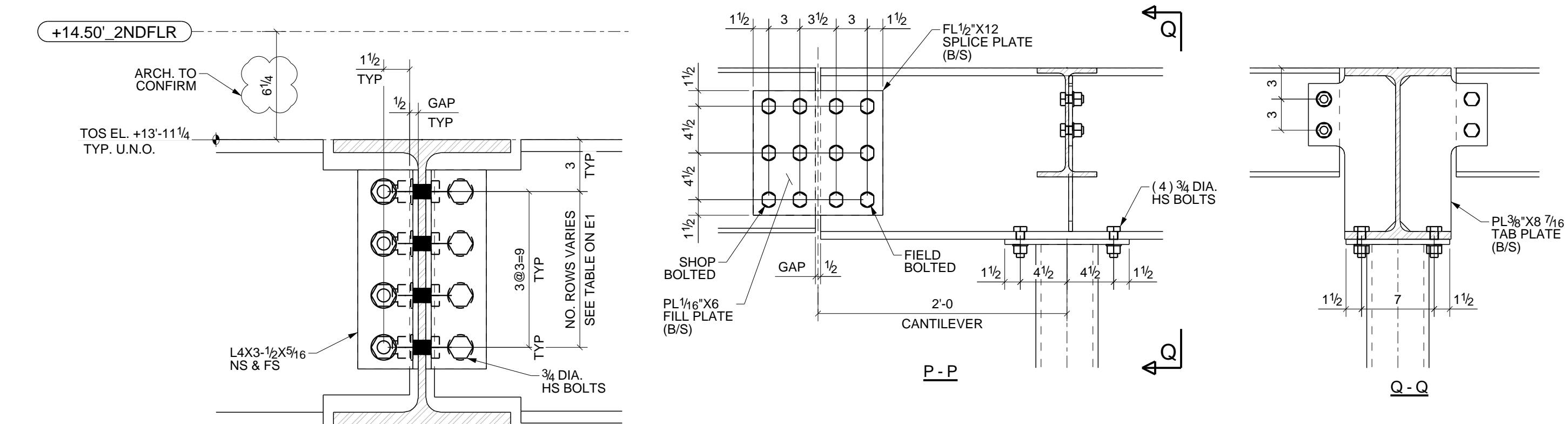
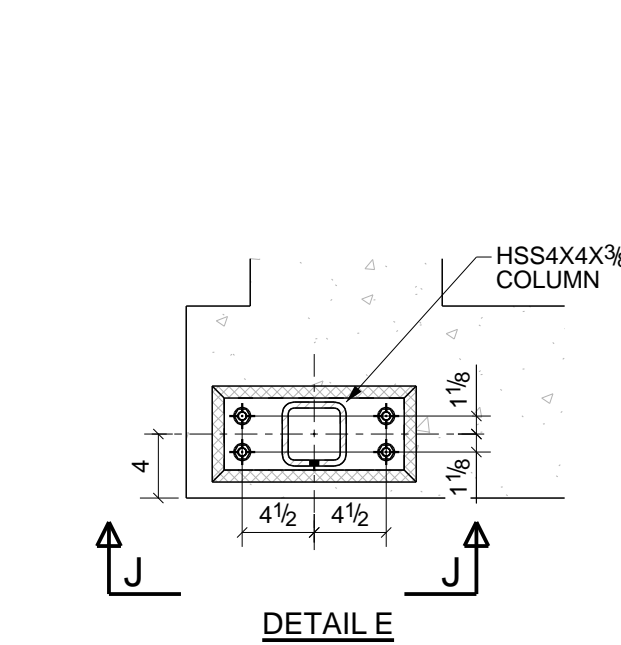


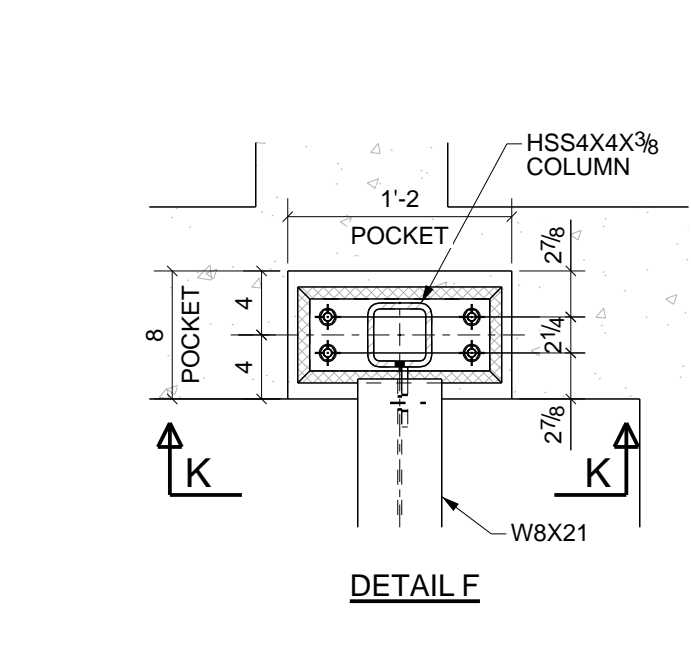
2ND FLOOR FRAMING PLAN



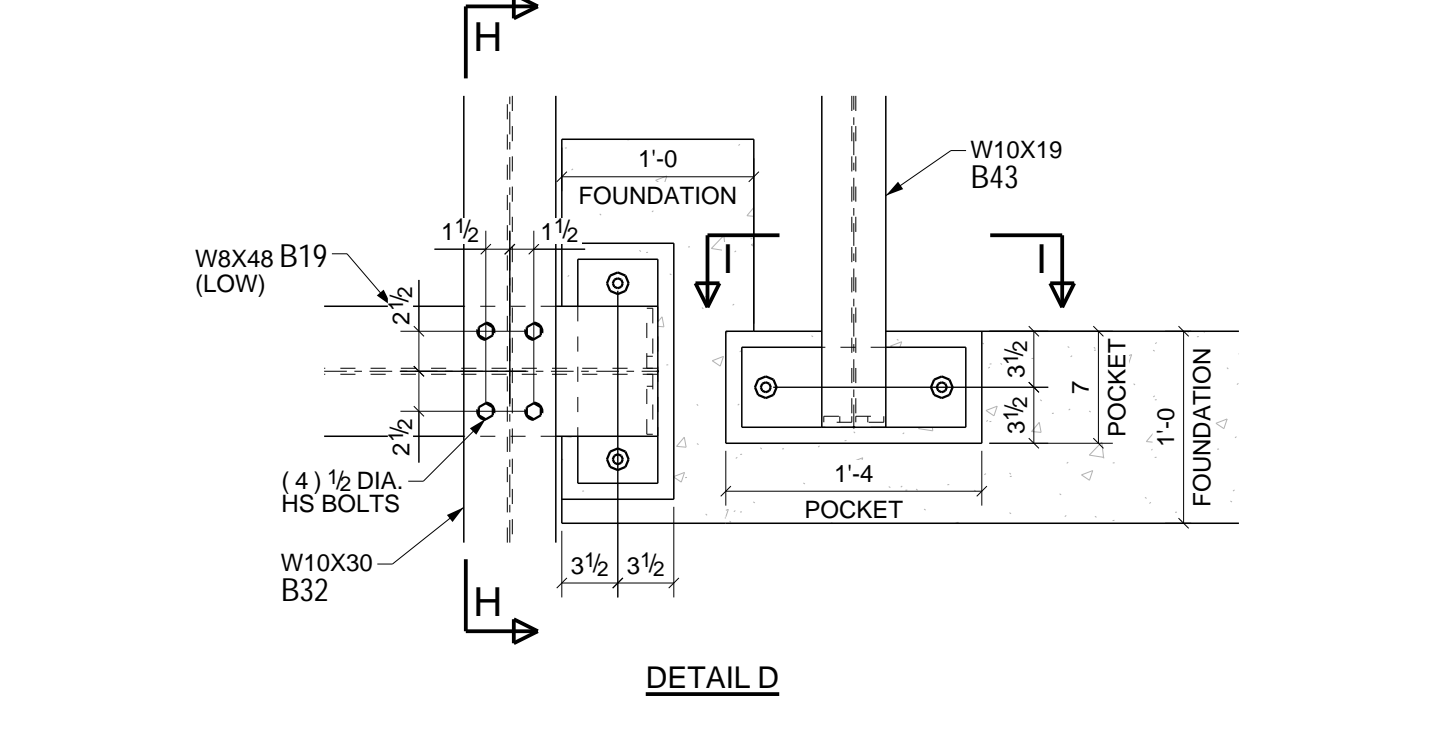
TYP. CONNECTION DETAIL BEAM TO BEAM



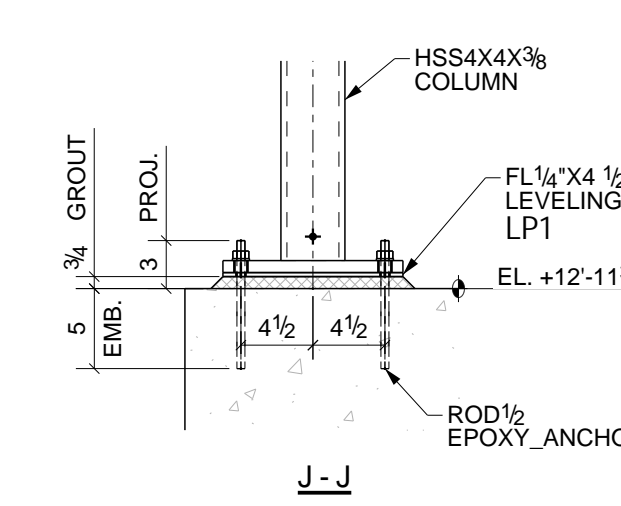
DETAIL E



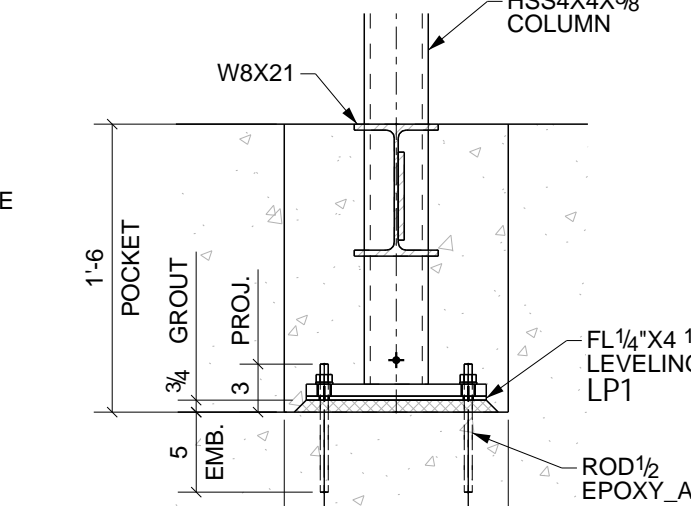
DETAIL F



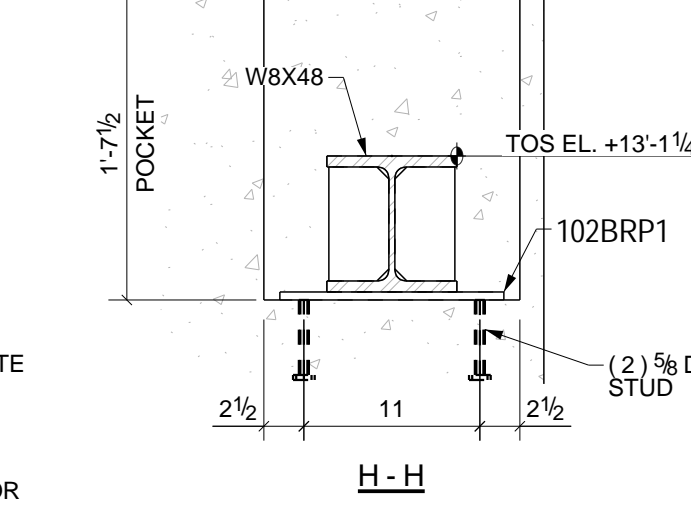
DETAIL D



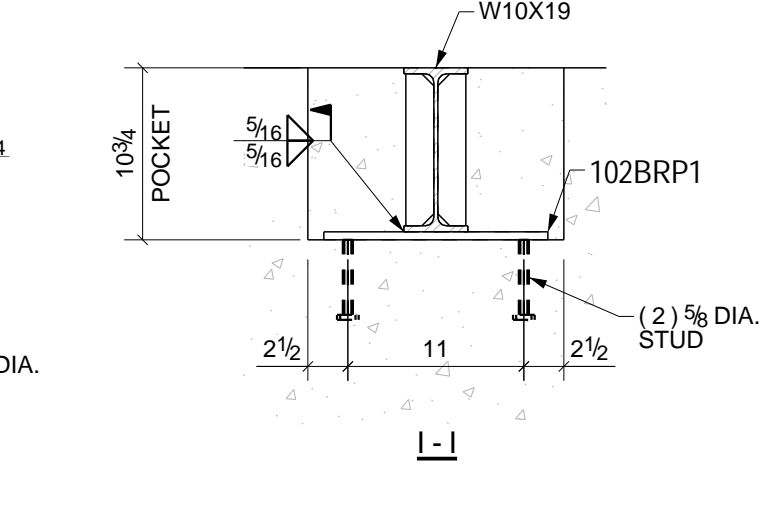
J-J



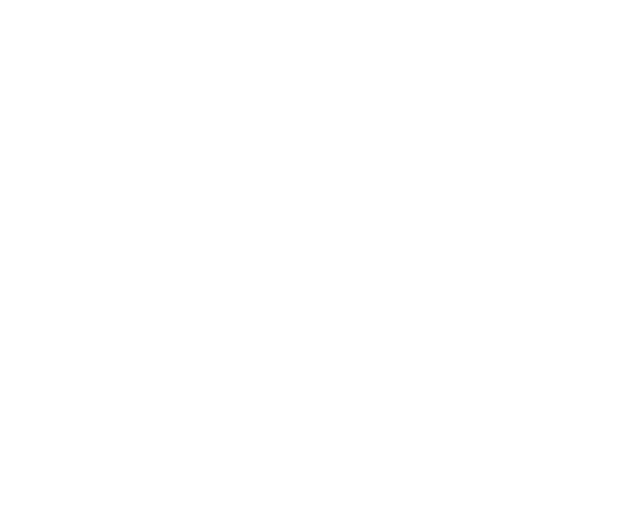
K-K



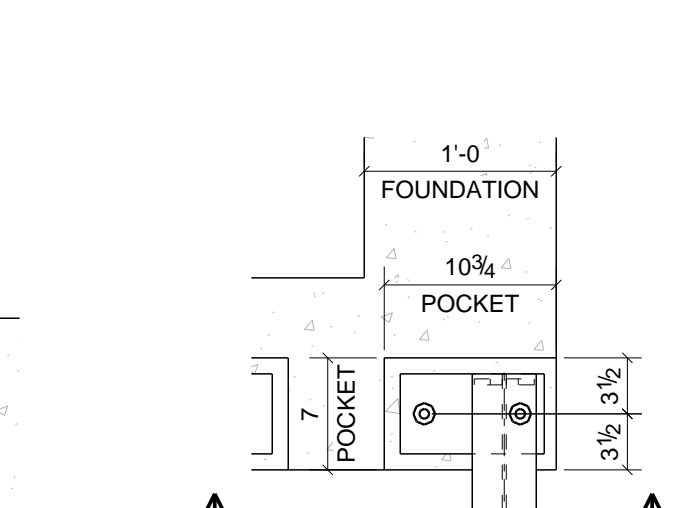
H-H



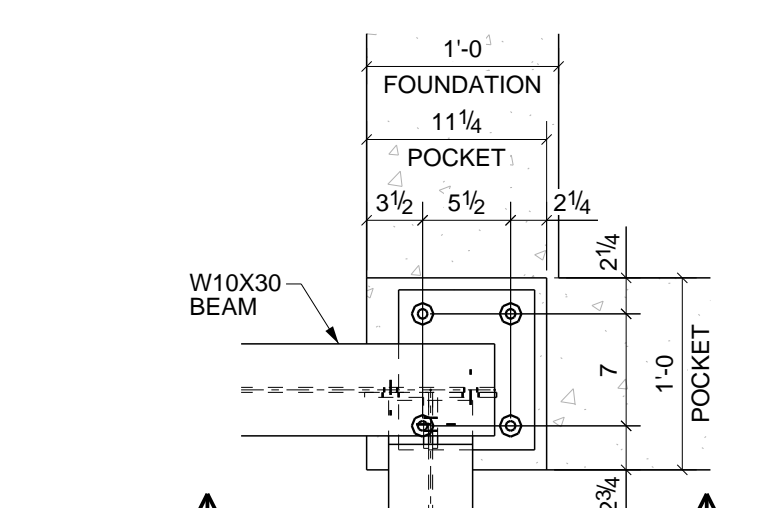
L-L



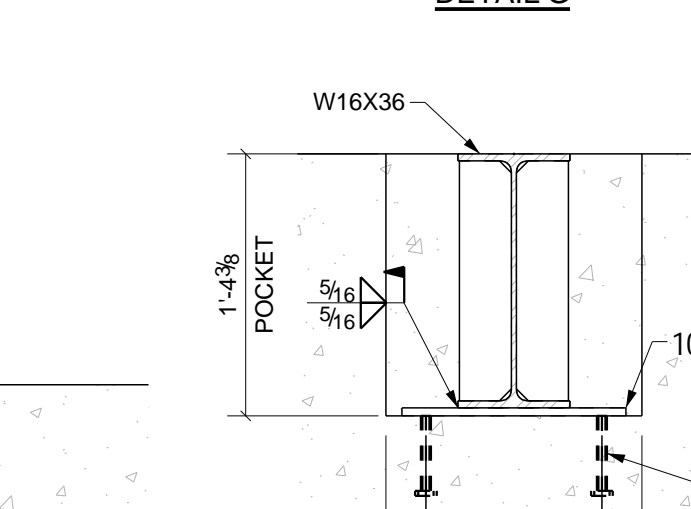
DETAIL G



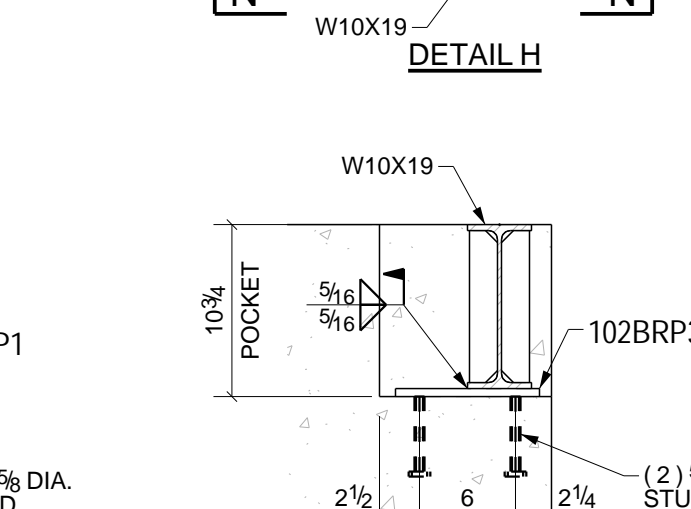
DETAIL H



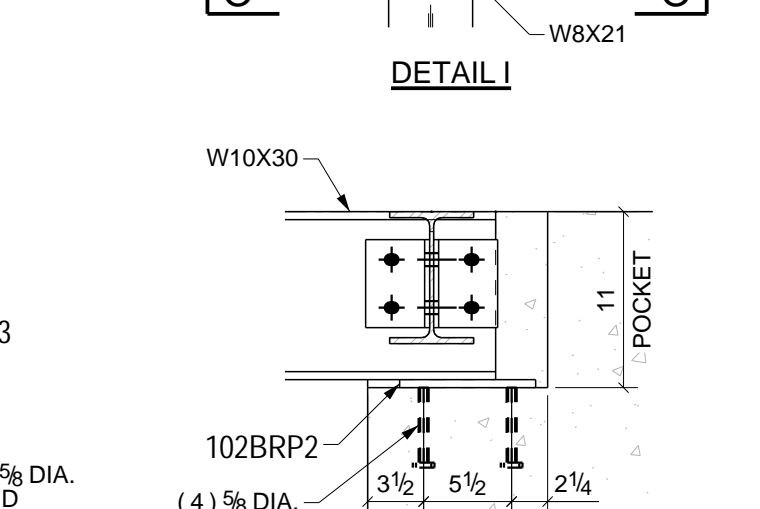
DETAIL I



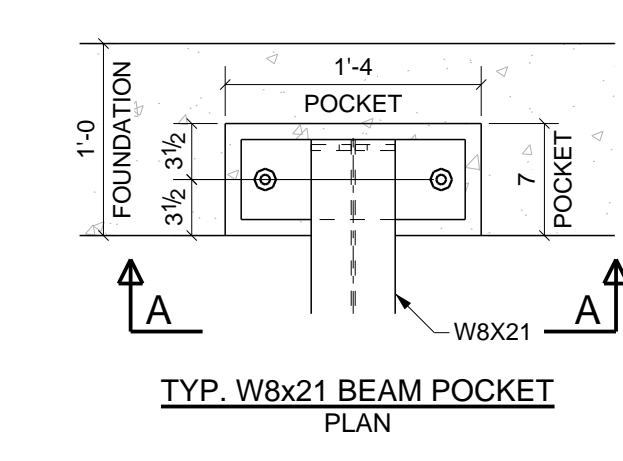
D-D



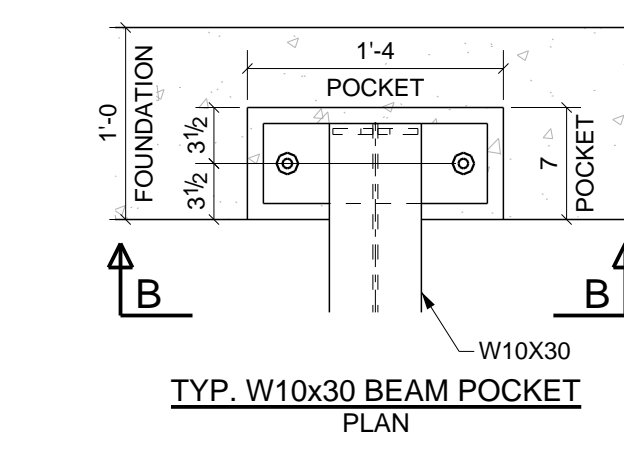
N-N



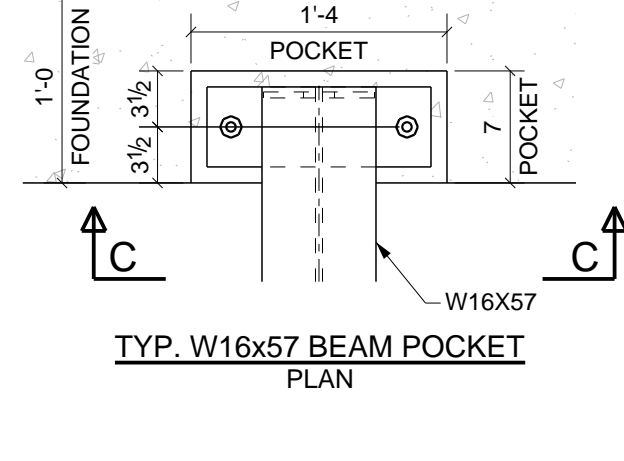
O-O



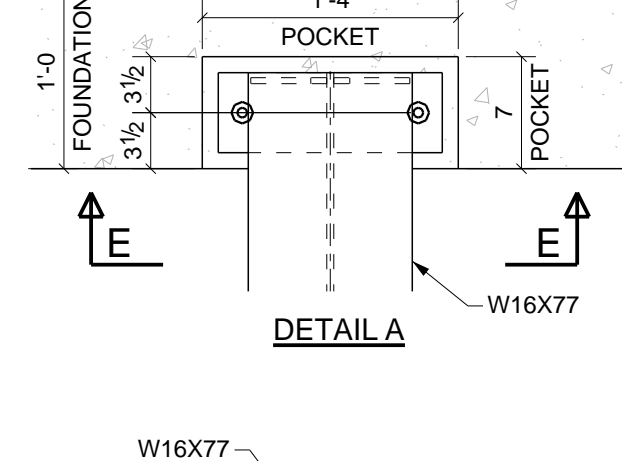
TYP. W8X21 BEAM POCKET PLAN



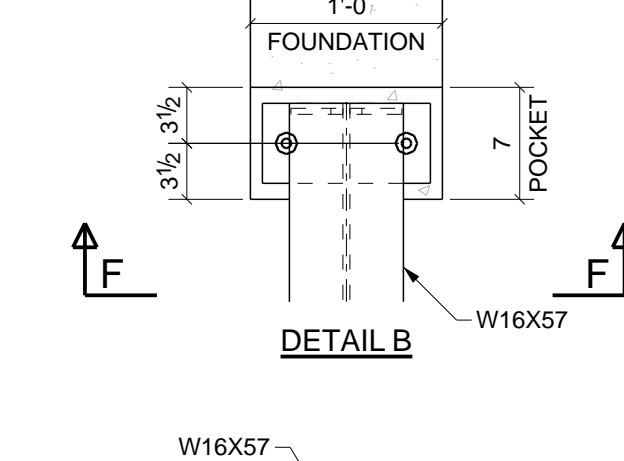
TYP. W10X30 BEAM POCKET PLAN



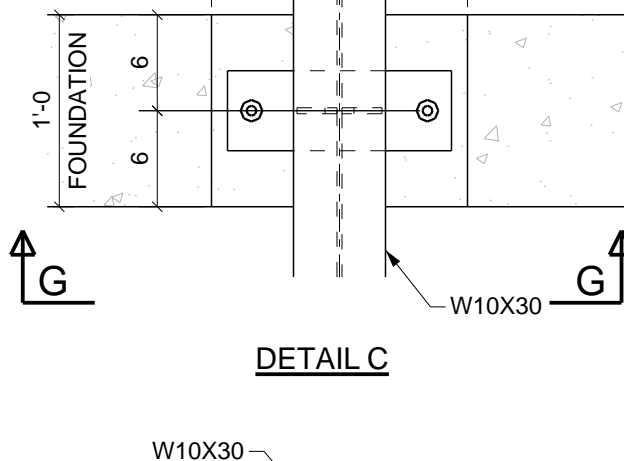
TYP. W16X57 BEAM POCKET PLAN



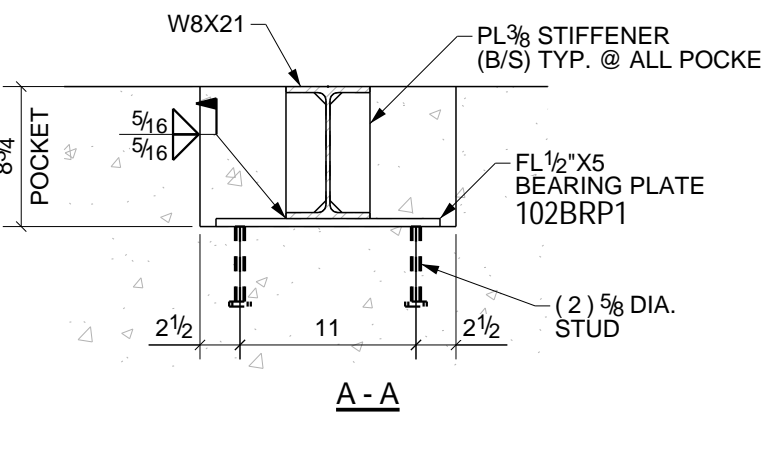
DETAIL A



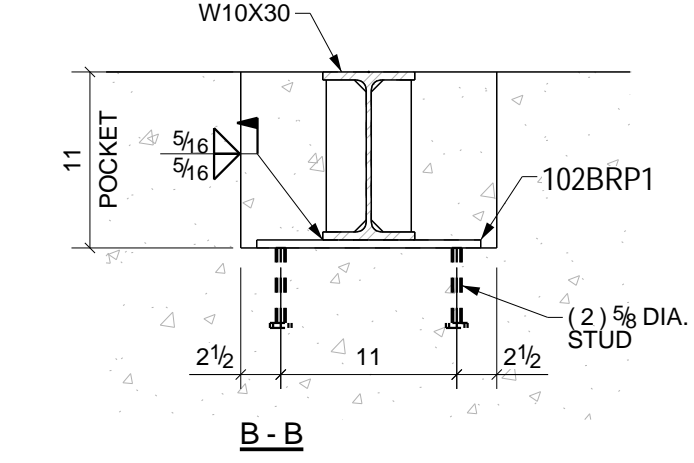
DETAIL B



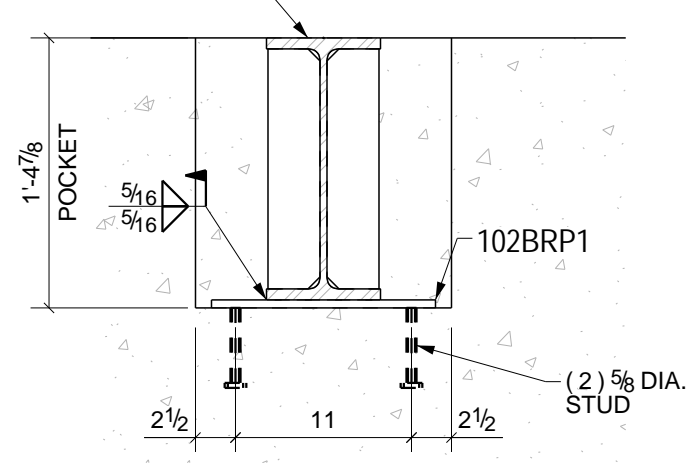
DETAIL C



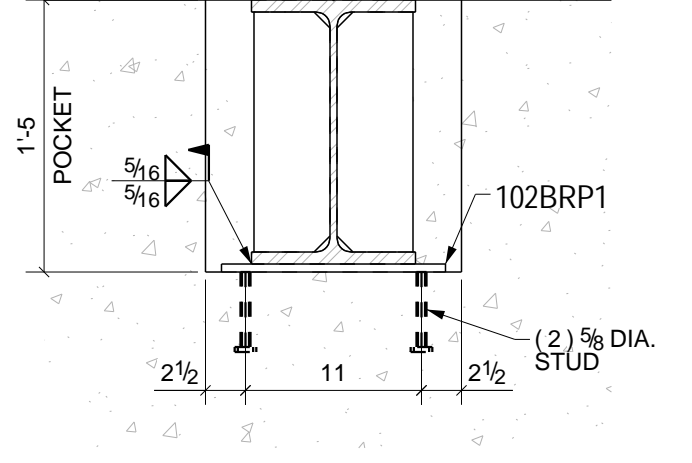
A-A



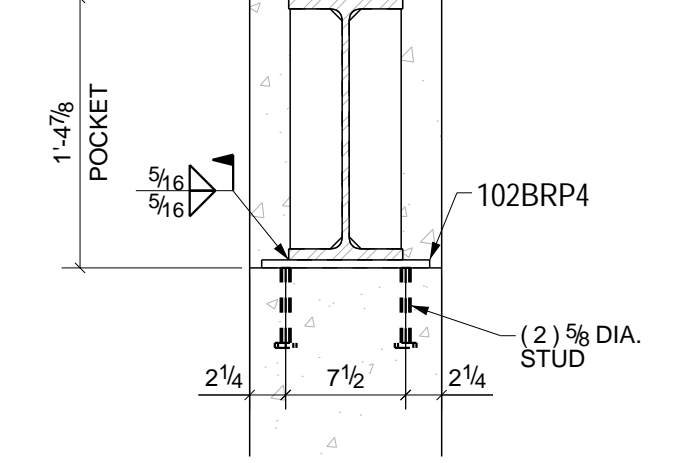
B-B



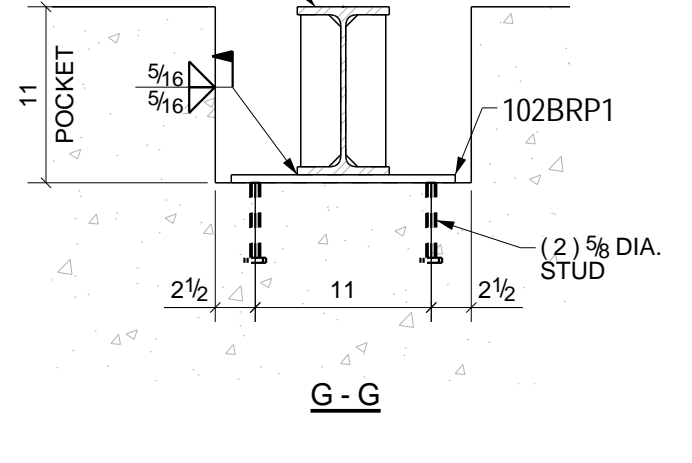
C-C



E-E



F-F



G-G

PROJECT NAME		51 SILVER ST	
STEEL ASTM AS NOTED UNO	LOCATION	51 SILVER ST SOUTH BOSTON, MA	
ELECTRODES E70XX ELECTRODE UNO	CONTRACTOR		
WELDS AS NOTED UNO	ARCHITECT		
OPEN HOLES 13/16" DIA. UNO	DESCRIPTION	2ND FLOOR FRAMING	
BOLTS A325/A449 UNO	DATE	10/26/2018	JOB No. 18-033
PAINT NONE REQD U.N. UNO	DRAWN BY	DAP	DRG No. E2