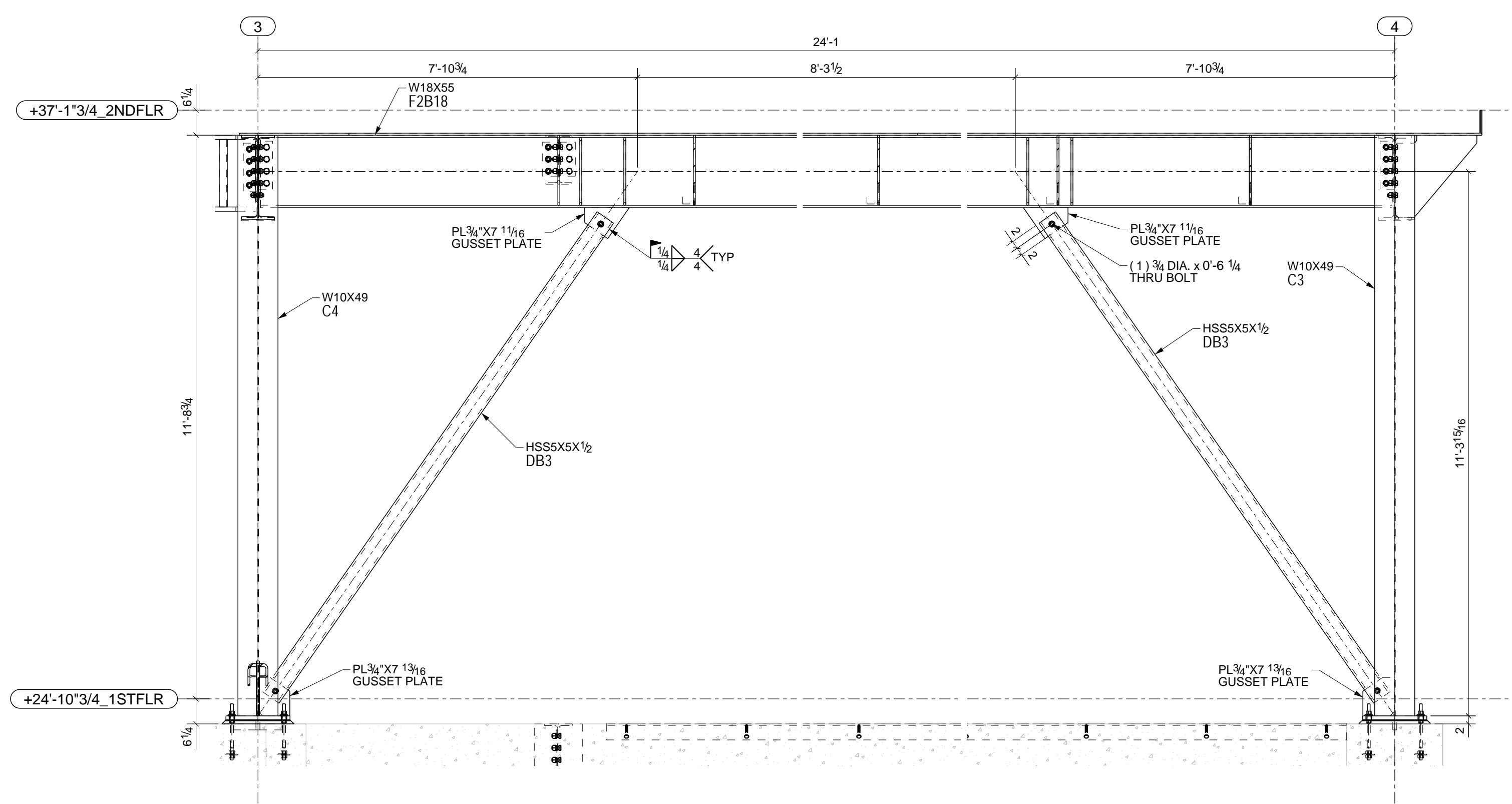
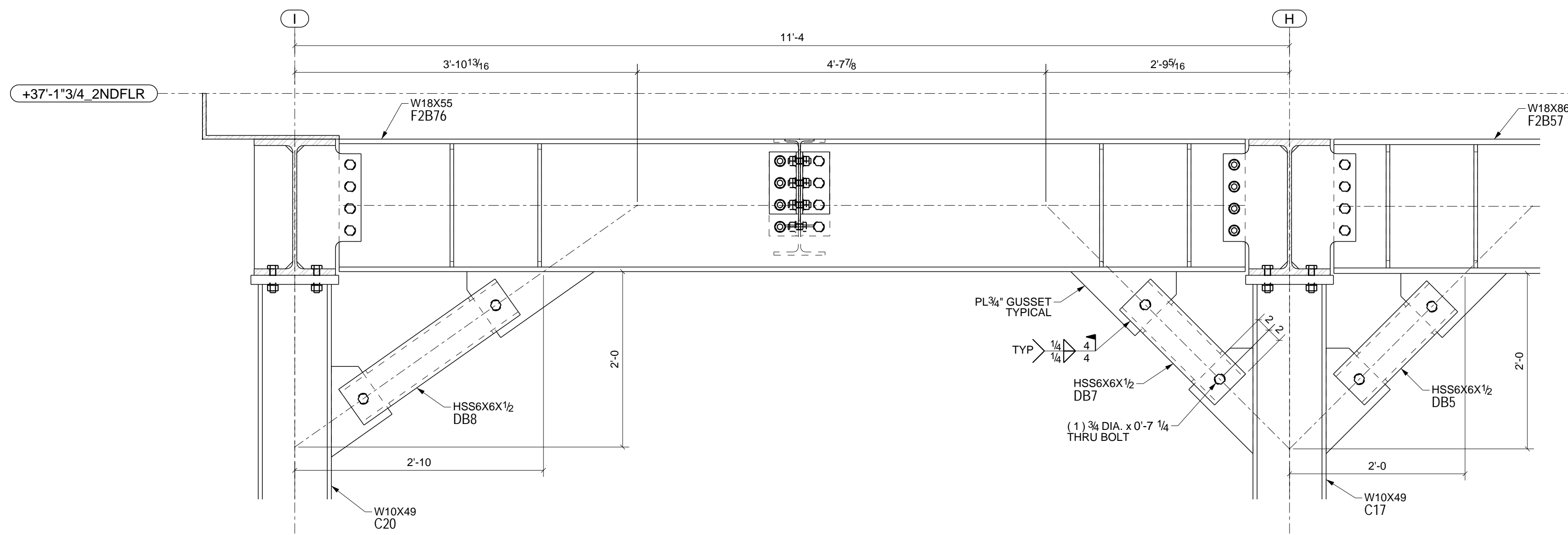


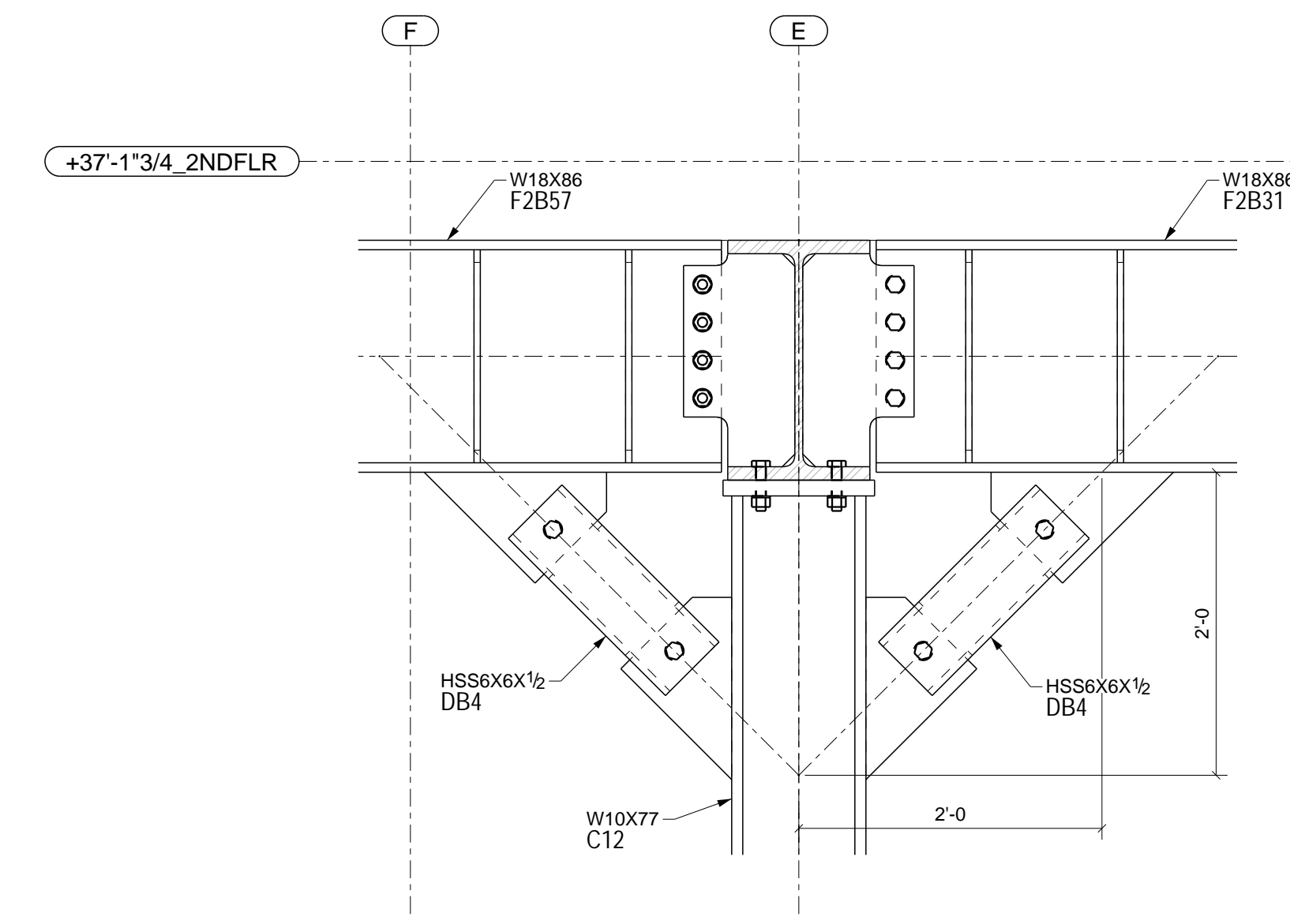
D-D
E2 - BRACE FRAME ALONG
GRID LINE 4



E-E
E2 - BRACE FRAME ALONG
GRID LINE B



F-F
E2 - BRACE FRAME ALONG
GRID LINE 1



G-G
E2 - BRACE FRAME ALONG
GRID LINE 1

DATE	NO.	DESCRIPTION	BY	DATE	JOB No.
12/07/2019	1	RE-ISSUED FOR FABRICATION	DAP	10/23/2019	18-038
11/18/2019	2	ISSUED FOR FABRICATION	DAP		
10/23/2019	3	ISSUED FOR APPROVAL	DAP		

PROJECT NAME		1 NEWCOMB PL	
STEEL ASTM AS NOTED	UNO	LOCATION	1 NEWCOMB STREET, BOSTON MA
ELECTRODES E70XX ELECTRODE	UNO	CONTRACTOR	
WELDS AS NOTED	UNO	ARCHITECT	
OPEN HOLES 13/16\" DIA.	UNO	DESCRIPTION	BRACING FRAMES
BOLTS A325/A449	UNO	DATE	10/23/2019
PAINT NONE REQ'D U.N.	UNO	DRAWN BY	DAP
		DRG No.	E9